



V-Dimmer-1

(DMX Interface 1-Channel Dimming Interface Driver Unit)

FEATURES

- DMX Interface for 1-channel (for mono-colour)
- Constant-voltage 12-24Vdc (for input & output)
- No flickering
- Robust metal casing with powder coating
- Maximum Current: 6A
- Address setting with DIP Switches
- Synchronize up to 32 units with built-in program

SPECIFICATION

Input Voltage	12Vdc~24Vdc (Input Voltage = Output Voltage)
Input Signal	DMX / or 0-10V
Maximum Load Current	6A (@25°C)
Operating Temperature	0°C~+45°C
Storage Temperature	-20°C~+50°C
Casing Dimension	110mm x 60mm x 18mm (H)
No of Channel	Three (for Mono-Colour LED)
Connection	Pheonix Connectors
Ingress Protection	IP20
Listing	CE Certified
Weight	170 grams

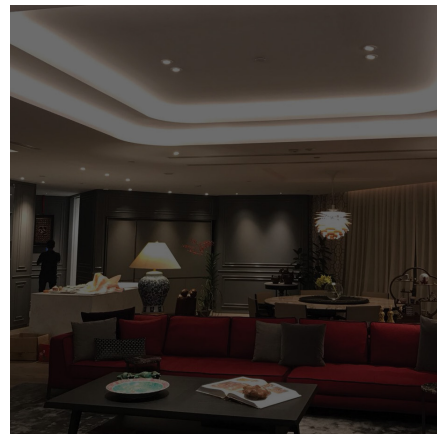
VARIOUS DIMMING (BRIGHTNESS) SETTING UNDER DMX SYSTEM



100% Brightness



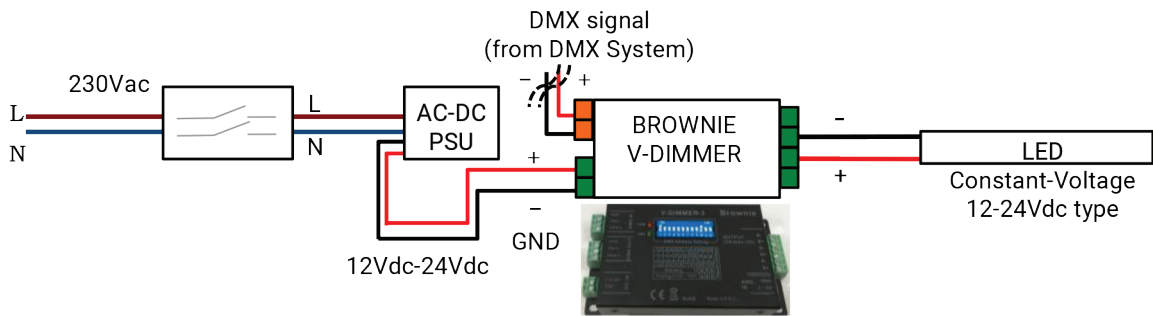
50% Brightness



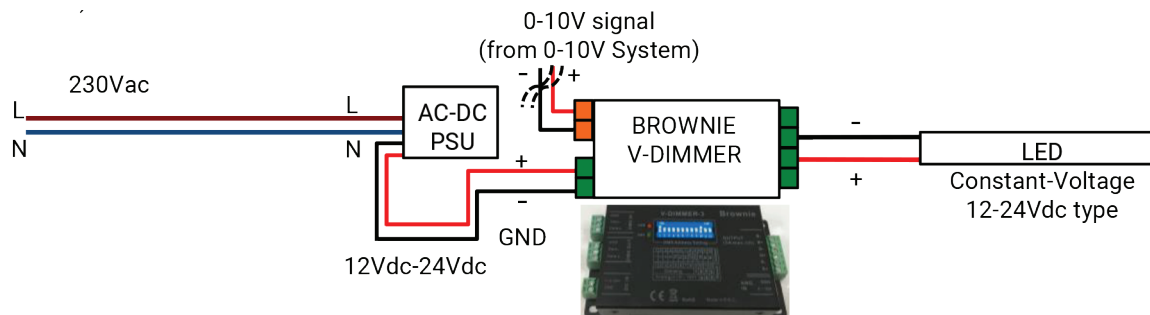
10% Brightness

WIRING DIAGRAM

1 Under DMX System



2 Under 0-10V System



Caution

1. Do not place the V-Dimmer directly on top of AC-DC power supply unit or any other high-temperature equipment.
2. Make sure polarity (+ & -) and input/output wiring is correct before switching on power.
(Continuous switching on with reverse polarity, short-circuit or overcurrent could cause damage on components.)
3. Make sure all the connector terminals are firmly inserted into the body of V-Dimmer.
4. Maximum load must not exceed rated current of 6A.
(As to maximum series connection length of LED, refer to individual spec of LED fixture.)